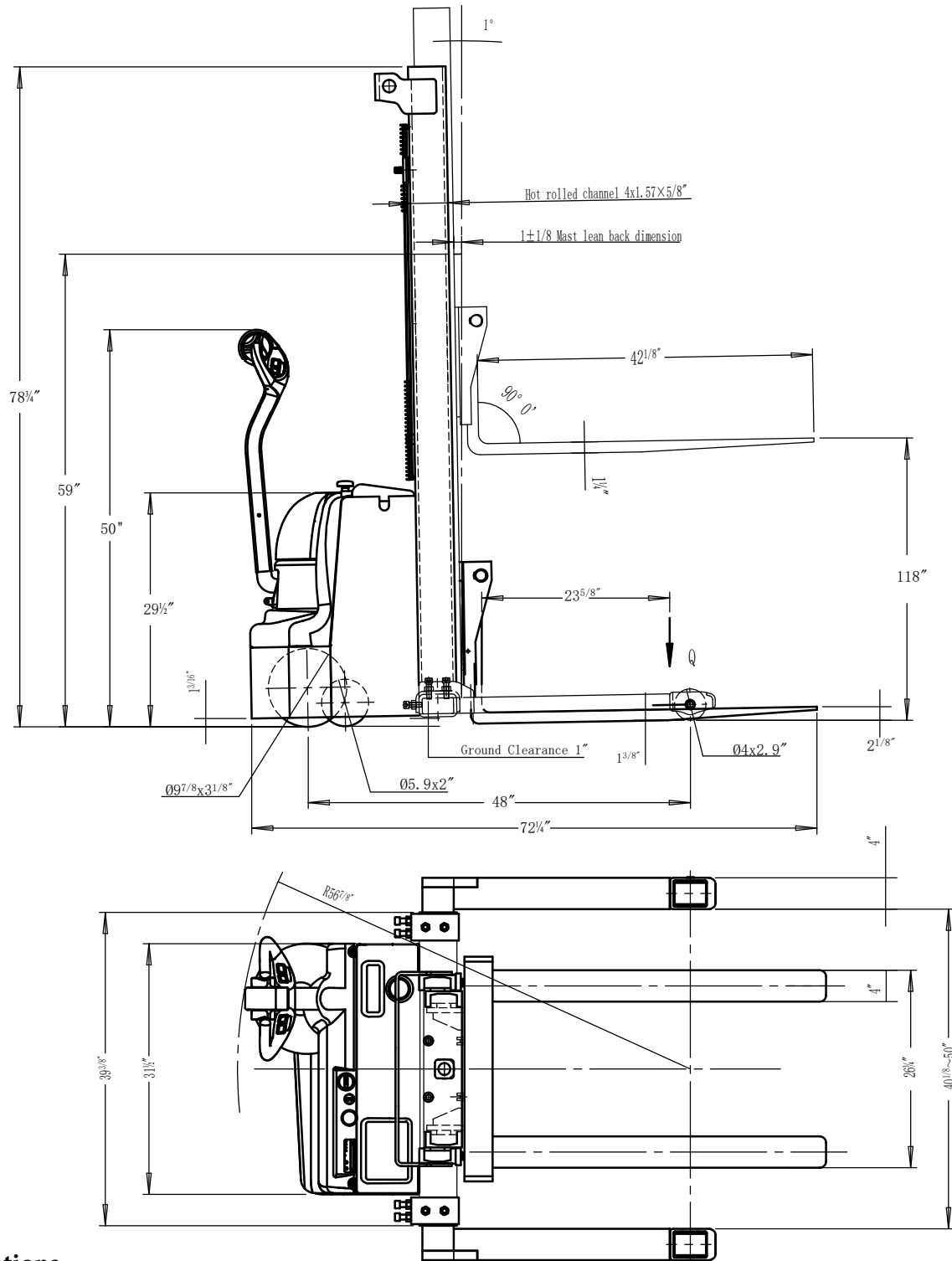


S-118-AA-DM (2,200 lbs Fully Powered Stacker with Adjustable Forks & Adjustable Legs)



Specifications

Model # S-118-AA-DM
 Capacity (UDL): 2,200 lbs 0-62"
 Capacity (UDL): 1,500 lbs 62 - 118"
 Lift Height: 118"
 Lowered Height: 21 1/8"
 Adjustable Forks & Adjustable Legs Overall
 Mast height (Retracted): 78 3/4"
 Overall Mast height (Extended): 141 3/8"
 Lift Motor: 24V/2Kw
 Drive Motor: 24V/0.7Kw
 Drive Wheel: Ø9 7/8x3 1/8"
 Front Wheel: Ø4x2.9"
 Stabilizer wheel: Ø5.9x2.0"

Battery: 2x12V/70~85Ah
 Battery Charger: 24V/10 amps
 Travel speed w/load: 2.6m/h
 Travel speed w/o load: 3.1m/h
 Raise unloaded: 20.91 secs
 Raise loaded: 30.87 secs
 Down unloaded: 27.15 secs
 Down loaded: 29.51 secs

VESTIL MANUFACTURING CORP.

S-118-AA-DM

Fully Powered Stacker with Dual Mast -
Straddle Legs and Forks

T.M

Date: 06/11/2020